

Sigma

Educational Microscopy



LABOMED 
ideas for vision

Innovation through practicality, Sigma is the future.



1

Crisp imaging is a standard with Sigma. LABOMED's Educational Plan (EP) series objectives are composed of well corrected achromats with high efficiency anti-fungus coatings.



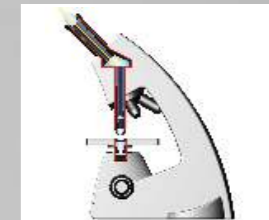
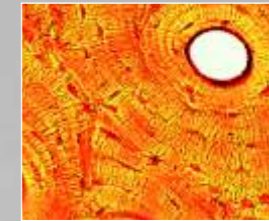
2

Operational ingenuity is achieved through a cleverly placed rackless coaxial coarse/fine focus mechanism providing zero wear and tear to the stage drive. The extra smooth turret provides parfocality and parcentration generally available only in research level microscopes.

Sigma

Thanks to LABOMED's innovative manufacturing practices, the next generation of classroom microscopes is a reality today. Sigma™ is an educational tool with the very best in optics, durability, and value, leaving little room for debate. Boasting more than just superb performance, Sigma's sleek design will compliment your classroom with a touch of elegance.

With its light weight construction and cordless operation, the Sigma will move effortlessly wherever you need it to be. And best of all, this is all available in a highly affordable package.



3

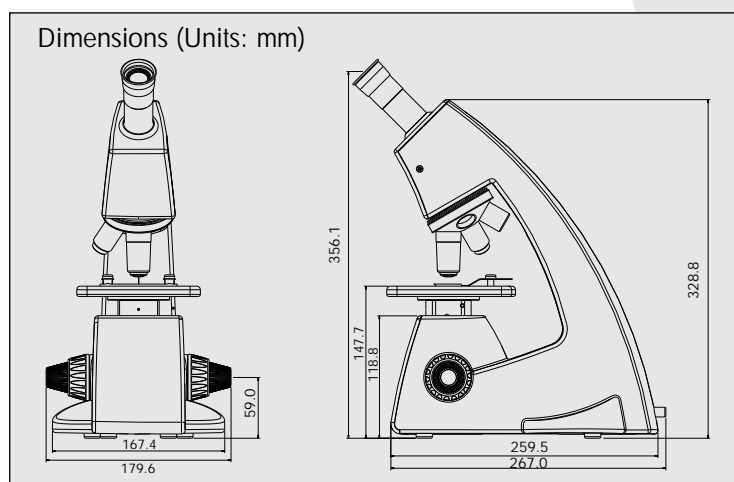
Sigma is equipped with white LED illumination powered through a re-chargeable battery, making Sigma a truly cordless system. The intensity control is through an intelligent illuminated dial that glows green when fully charged and turns red when on low charge.



Sigma Educational Microscope

Specifications

Item	Specifications
- Stand	Sturdy stand with extended base for better stability
- Viewing Body	Integrated Monocular tube, 45° inclined
- Eyepiece	Integrated wide field eyepiece 10x/18mm with foldable eye guard, anti fungal
- Nosepiece	Reverse quadruple Nosepiece (Ball bearing type) with rubber grip
- Objectives	EP series DIN Semi Plan Achromatic objectives 4x, 10x, 40x (spring loaded), anti fungal
- Stage	Rectangular stage plate size 125 x 120mm
- Focusing	Coaxial coarse and fine focusing with gear movements for smooth operation
- Illumination	LED illumination, variable intensity control with illuminated ON/OFF switch, rechargeable battery. Up to 100,000 hours of LED life
- Electrical	Universal input 100V - 240V AC through external power adapter for battery charging
- Optional accessories	EP Semi Plan 100x (spring loaded, oil) objective; Mechanical stage



Configurations

Description	Configuration	Cat. No.
Cordless		
Standard, 3 obj.	Monocular	2124001
Standard, with 100x obj. and mechanical stage	Monocular	2124002



Labo America, Inc.

920 Auburn Court
Fremont, CA 94538
U.S.A.

Tel: (510) 445-1257
Fax: (510) 991-9862
Email: sales@laboamerica.com



ISO 9001 : 2008
File No. A9020

laboamerica.com

Distributor